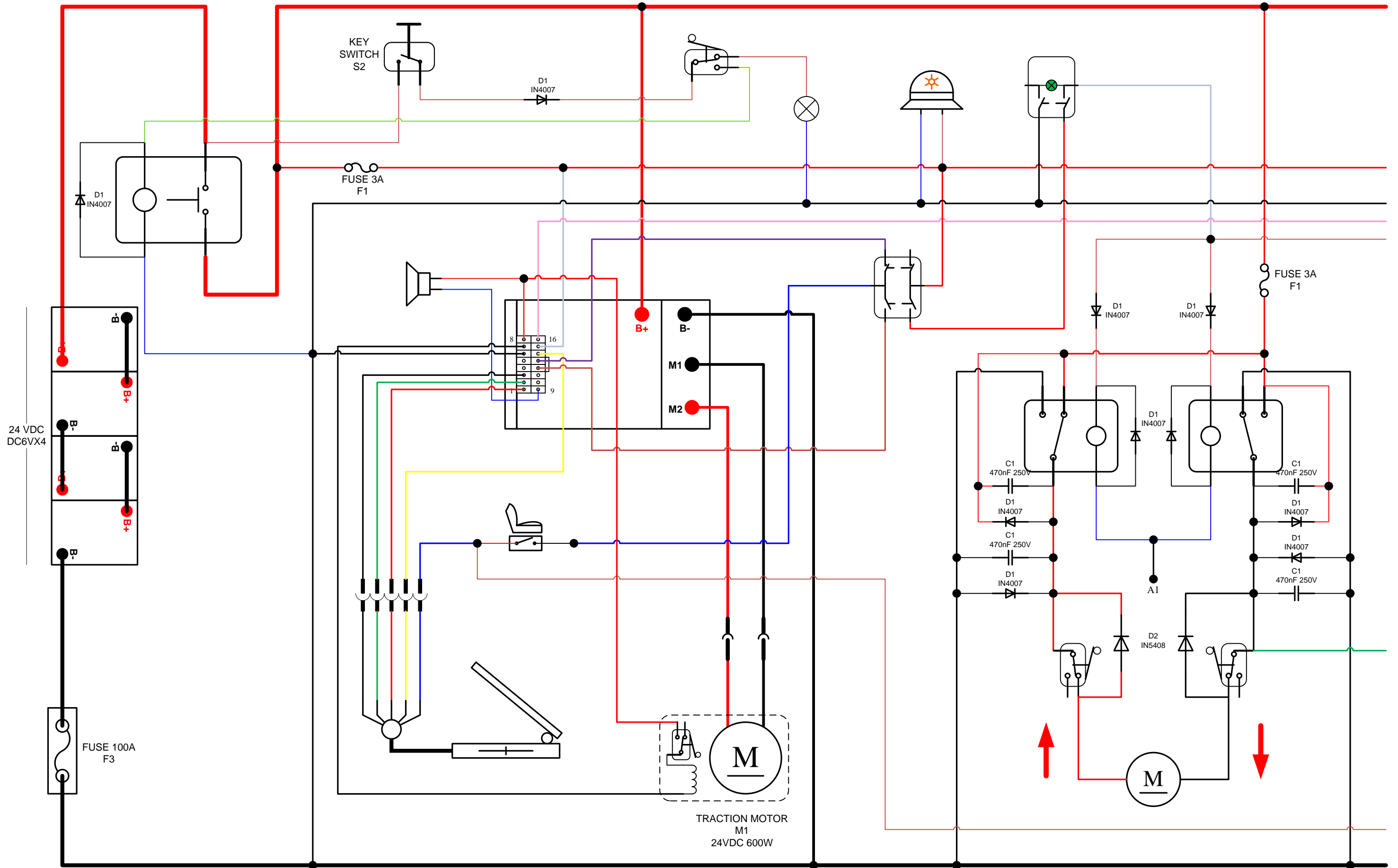


Electrical Schematic—P150-86B DC24V



Electrical Schematic—P150-86B DC24V

