



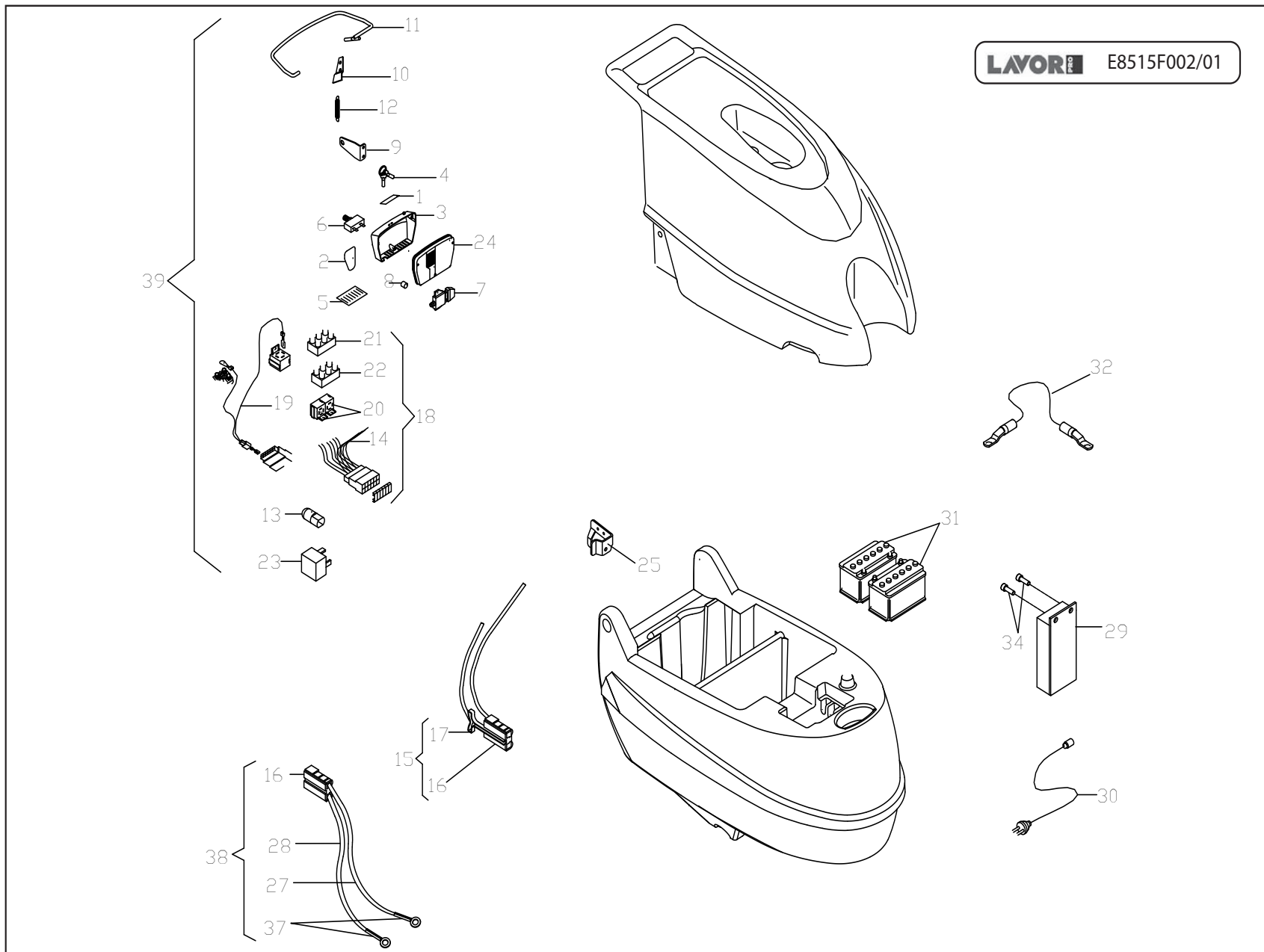
SCL COMPACT FREE 45B WITH CHARGER + 2 X GEL LAVOR PRO

Content filters: validity 14/03/2018

14/03/2018

8.515.0305 - SCL COMPACT FREE 45B WITH CHARGER + 2 X GEL LAVOR PRO.....	3
R55090652-1 - GRUPPO COMANDI e BATTERIE SCLFREE 45B BATT.GEL.....	4
R55090838-2 - TANK.....	7
R55091083-1 - BRUSH PLATE.....	10
R55091474-1 - SQEEGE.....	13

Pos.	Code	Description
0	R55090652-1	GRUPPO COMANDI e BATTERIE SCLFREE 45B BATT.GEL
0	R55090838-2	TANK
0	R55091083-1	BRUSH PLATE
0	R55091474-1	SQEEGE



SCL COMPACT FREE 45B WITH CHARGER + 2 X GEL LAVOR PRO - Content filters: validity 14/03/2018

R55090652-1 - GRUPPO COMANDI e BATTERIE SCLFREE 45B BATT.GEL

Validity: from 06/05/2008 to 01/01/3000

Pos.	Code	Substituted by	Q.ty	Purchasable	Min. Q.ty	For mainten.	Description
001	7.503.0132		1	Yes	1		CONTROL STICKER SCK EASY-R (B)COMPACT FREE(B) LWS 145X87 MM
002	7.503.0131		1	Yes	3		LABEL
003	4.508.0396		1	Yes	1		ELECTRIC BOX COVER
004	5.509.0555	5.511.1566	1	Yes	1		IGNITION KEY FOR ELECTRONIC DASHBOARD CARD
005	4.515.0002		1	Yes	1	EXT	CONTROL BOARD 24V
006	3.401.0119		1	Yes	2	EXT	THERMAL CIRCUIT BREAKER 25A
007	3.401.0113		1	Yes	2	EXT	MICROSWITCH SAIA XGO2-88-J24
008	4.505.0115		1	Yes	12		SPACER FOR MICROSWITCH
009	4.507.0659		1	Yes	3		CLAMP FOR TRACTION LEVER
010	4.507.0677		1	Yes	6		SUPPORT PLATE
011	4.507.0706		1	Yes	1		LEVER
012	4.507.0522		1	Yes	6		SPRING
013	3.405.0045		1	Yes	3		TERMINAL BOARD MEC584 70-45
014	3.499.0135		1	Yes	12	EXT	STRIP FUSE 60A
015	4.512.0016		1	Yes	1		ASSEMBLY WIRING CABLES + RED PIN 50A AND T HANDLE
016	3.499.0029		2	Yes	2		RED CONNECTOR SR50
017	3.099.0808		1	Yes	2		PLUG FOR RED CONNECTOR
018	4.512.0034		1	Yes	1		WIRING HARNESS
019	4.512.0032		1	Yes	2		CONTROL WIRING ASSEMBLY FREE B(WITHOUT KEY)
020	3.410.0022		2	Yes	1		RELAY SUPPORT FOR CB1AH
021	3.499.0142		2	Yes	6		CONNECTOR F.
022	3.499.0143	3.499.0142	2	Yes	6		CONNECTOR F.
023	3.402.0017		2	Yes	1	EXT	RELAY AUTOMOTIVE CB1AH-24V 70A
024	4.508.0397		1	Yes	1		ELECTRIC BOX SUPPORT
025	4.507.0635		1	Yes	1		BRACKET FOR ANDERSON PLUG
027	4.512.0013	5.511.0702	1	Yes	1	EXT	BATTERY POWER SUPPLY RED CABLEL=790 mm
028	4.512.0014	5.511.0702	1	Yes	1	EXT	BATTERY POWER SUPPLY BLACK CABLE L=960 mm
029	0.108.0023	6.505.0027	1	Yes	1	EXT	BATTERY CHARGER LWS 5 24V 12A220-240V/50-60HZ W/O PLUG
030	0.108.0025		1	Yes	4	EXT	UE PLUG + MAIN CABLE FOR INTEGRATED CHARGER 1,5m
031	0.107.0030	5.511.1553	2	Yes	1	EXT	GEL BATTERY 12V 90Ah C5
032	5.511.0673		1	Yes	2		CONNECTION WIRING ASSY BATTERY

SCL COMPACT FREE 45B WITH CHARGER + 2 X GEL LAVOR PRO - Content filters: validity 14/03/2018



R55090652-1 - GRUPPO COMANDI e BATTERIE SCLFREE 45B BATT.GEL

Validity: from 06/05/2008 to 01/01/3000

14/03/2018

Page 5 / 15

Pos.	Code	Substituted by	Q.ty	Purchasable	Min. Q.ty	For mainten.	Description
038	5.511.0703		1	Yes	1		BATTERY CONNECTION CABLE ASSEMBLY
039	5.511.0672		1	Yes	1		ELECTRIC BOX WITH HARNESS

Pos.	Code	Substituted by	Q.ty	Purchasable	Min. Q.ty	For mainten.	Description
001	5.513.0134		1	Yes	1		LEVER SUPPORT
002	3.004.0124		3	Yes	12		SPRING WASHER 10.5X18X0.8 DIN137A
003	4.507.0845		2	Yes	12		SPACER FOR LEVER
004	4.507.0700		1	Yes	2		CLAMP FOR TANK LOCKING
005	4.507.0701		1	Yes	2		PIN FOR TANK LOCKING
006	4.507.0707		1	Yes	6		SPRING FOR TANK LOCKING
007	3.099.0307		1	Yes	6		HANDLE FOR TIE ROD BLACK MODELMT/58/FFC-M6
008	4.508.0739		1	Yes	12		SPONGE FILTER
009	4.508.0738		2	Yes	4		TUBE FOR TANK ROTATION
010	5.513.0132		1	Yes	1		SQG LIFTING LEVER ASSEMBLY
011	4.508.0971		2	Yes	3		HANDLE SPECIAL LEVEL (15X4)
012	3.099.0879	5.511.1331	1	Yes	1		CABLE D.2.5X133
013	4.507.0490	4.507.1207	2	Yes	2		PIN M8
015	5.513.0133		1	Yes	1		BRUSH PLATE LIFTING ASSEMBLY
017	3.099.0881		1	Yes	1		CABLE D.2,5x133 L=685
019	4.506.0141		1	Yes	3		PULLEY
020	4.208.0274		1	Yes	6	EXT	DIAM.32mm CAP
022	4.507.0708		1	Yes	3		PIN FOR PULLEY L=118
023	3.099.1010		1	Yes	1		RETAINER FOR SHAFT SWIFT B L=25
024	5.511.0937		1	Yes	1	EXT	TANK DRAIN CAP ASSY
025	4.506.0034		1	Yes	6		PIN FOR SPRING COUPLING
026	3.755.0060	5.511.0903	1	Yes	1	EXT	TWO STAGE SUCTION MOTOR 24V 400W
028	3.099.1011		1	Yes	1		RETAINER FOR SHAFT SWIFT B L=30
029	4.507.0699		1	Yes	1		PROTECTION FOR CABLE
030	3.099.0330		2	Yes	4		SLEEVE
031	4.508.0770		1	Yes	2	ORD	RUBBER FILTER SWIFT B/E
033	4.508.0477		1	Yes	1		SOLUTION TANK SWIFT B - GREY
034	4.507.0709		1	Yes	5		PIN FOR WATER TAP
037	3.099.0343		1	Yes	6		HOSE HOLDER D. 40
039	4.508.0643		1	Yes	1	EXT	GASKET FOR SUCTION COVER
040	5.511.0698		1	Yes	1		FLOATING SWITCH ASSEMBLY

SCL COMPACT FREE 45B WITH CHARGER + 2 X GEL LAVOR PRO - Content filters: validity 14/03/2018



R55090838-2 - TANK

Validity: from 06/05/2008 to 01/01/3000

14/03/2018

Page 7 / 15

Pos.	Code	Substituted by	Q.ty	Purchasable	Min. Q.ty	For mainten.	Description
045	3.200.0182		1	No			O-RING 4061
046	4.508.0936		1	Yes	2	EXT	RECOVERY TANK DRAIN CAP
047	4.508.0709		1	Yes	1		PIPE FOR FLOATING
048	4.508.0866		2	No			WHEEL SUPPORT - SWIF B
049	3.006.0085		2	Yes	1	EXT	PIVOTING WHEEL D.80 POLY.
050	4.507.0917		1	Yes	2		PLATE
051	4.508.0766		1	Yes	2		MT. 8 1/4 CONNECTION H.P. HOSEAIRFOAM GASKET
053	3.006.0109		2	Yes	1	EXT	WHEEL D.160
055	3.099.0872		2	Yes	12		SEEGER RING D.16 UNI 7435
056	4.508.0687		2	Yes	12		AXLE SUPPORT - SWIFT B
057	4.507.0922		1	Yes	1		WHEEL SHAFT - SWIFT B
058	3.200.0126		1	Yes	12		O-RING 4187 47.22X3.53
060	3.200.0161		1	Yes	12		O-RING 6150
061	4.507.0793		2	Yes	12		LEVER SUPPORT PLATE - SWIFT B
062	4.508.0768		1	Yes	12		CIRCULAR AIRFOAM GASKET
064	5.509.0629		1	Yes	1	EXT	SUCTION HOSE ASSEMBLY COMPACT
065	3.752.0167		1	Yes	1		AIR PIPE D.51 LENGHT 300mm
066	4.508.0803		2	Yes	6		SPACER
067	3.752.0060		1	Yes	2	EXT	DRAIN HOSE D.32
068	3.100.0147	3.100.0339	1	Yes	2		HOSE FITTING UNION 3/8
069	3.099.0868		1	Yes	1		BALL VALVE 3/8" F/F WITHOUT HANDLE
070	4.506.0150		1	Yes	6		THREADED BAR
071	4.506.0137		1	Yes	5		WASHER FOR OF 4075
072	3.200.0162		1	Yes	12		O-RING 4075
074	4.508.0689		2	Yes	12		FIXING WHEEL AXLE - SWIFT B
077	4.508.1253	4.508.0690	1	Yes	6		SEAL TANK FREE
081	4.508.0551	5.511.1335	1	Yes	1		RECOVERY TANK - YELLOW
082	4.508.0552	5.511.1657	1	Yes	1		CAP FOR RECOVERY TANK
088	3.099.0647		1	Yes	6		PLASTIC RIVET
090	4.506.0142		1	Yes	12		PULLEY FORK
092	4.507.0713		1	Yes	2		BRACKET FOR COVER ESP. D

SCL COMPACT FREE 45B WITH CHARGER + 2 X GEL LAVOR PRO - Content filters: validity 14/03/2018



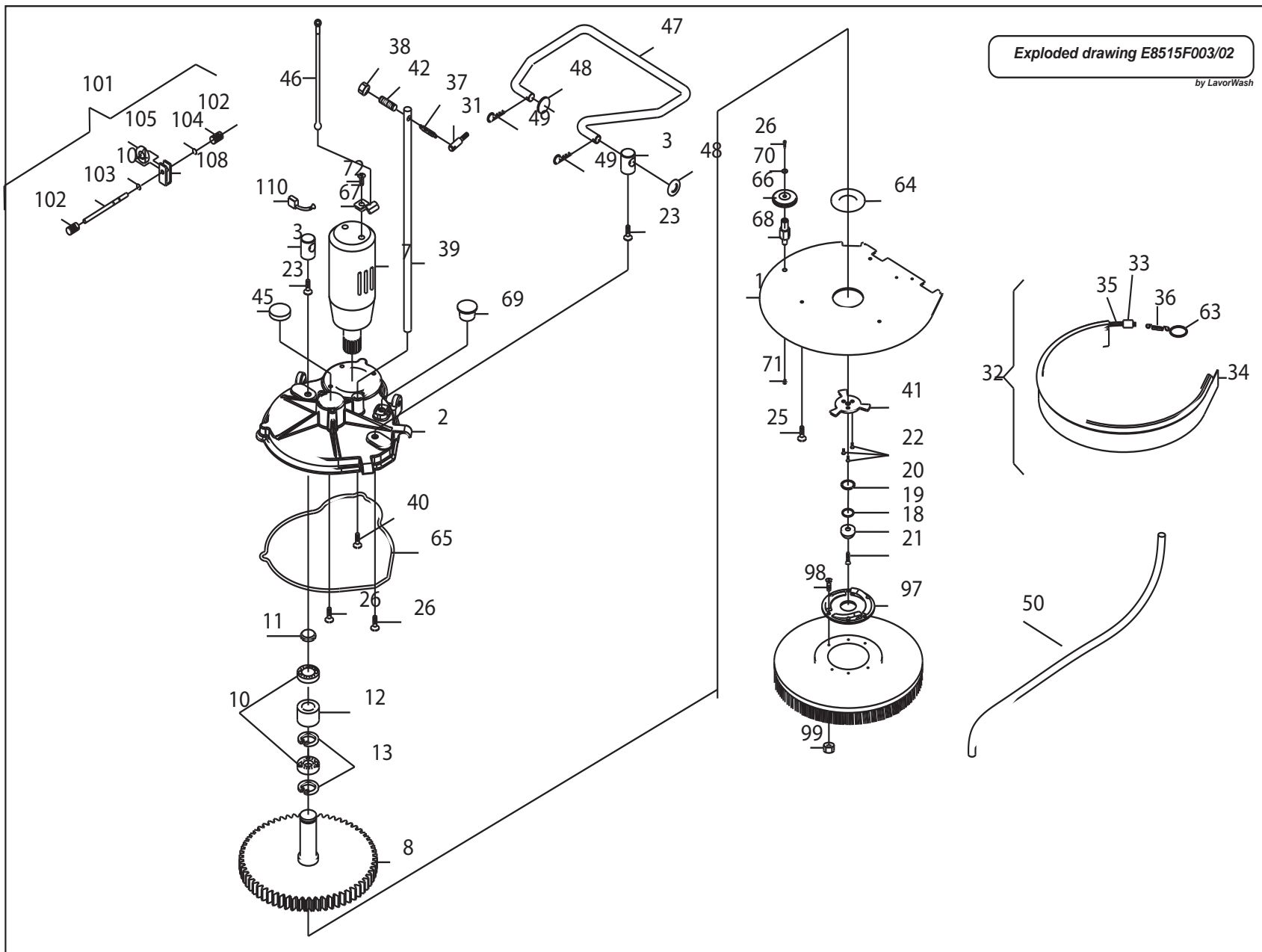
R55090838-2 - TANK

Validity: from 06/05/2008 to 01/01/3000

14/03/2018

Page 8 / 15

Pos.	Code	Substituted by	Q.ty	Purchasable	Min. Q.ty	For mainten.	Description
106	3.099.1075		1	Yes	1		HOSE HOLDER
112	3.099.1066		2	Yes	2		CAP FOR WHEEL - GREY
123	4.505.0160		2	Yes	3		BRACKET FOR LAMB SUCTION MOTOR
124	4.508.0123		1	Yes	2		SUCTION MOTOR GASKET
125	4.507.0893		1	Yes	2		FOLDED STOP CLAMP
127	3.499.0071		1	Yes	1		CARBON BRUSH -CRB0000001-
129	4.507.1159		1	Yes	3		REVERSE ROTATION PLATE FOR SUCTION MOTOR
156	3.099.1249		1	Yes	1	EXT	COMPLETE CONTROL WATER FREE
158	4.507.1174		1	Yes	1		SUPPORT FOR MINIMONEY FREE
159	4.507.1172		1	Yes	3		LOWER SUPPORT FOR WATER COCK 2STEEL CABLE
160	3.099.1193		1	Yes	12		STOPPER IN BLACK RUBBER
161	4.507.1170		1	Yes	1		LEVER FOR WATER TAP FREE



SCL COMPACT FREE 45B WITH CHARGER + 2 X GEL LAVOR PRO - Content filters: validity 14/03/2018

R55091083-1 - BRUSH PLATE

Validity: from 06/05/2008 to 01/01/3000

Pos.	Code	Substituted by	Q.ty	Purchasable	Min. Q.ty	For mainten.	Description
001	4.507.0918		1	Yes	1		BRUSH PLATE
002	4.505.0149	5.511.1184	1	No			BRUSH GEARMOTOR COVER -SWIFT B
003	4.508.0678	5.511.1354	2	Yes	1		BAR
007	5.501.0046	5.509.2083	1	No		EXT	BRUSH MOTOR 24V
008	4.507.0872	5.511.1184	1	No		EXT	DRIVEN GEAR - SWIFT B
010	3.001.0034		2	Yes	4		BALL BEARING 6004 2RS (42X20X12)
011	3.099.0308		1	Yes	12		SEEGER RING D.20 UNI 7435 DIN471 -ASAHO20012-
012	4.507.0779		1	Yes	6		SPACER FOR BEARINGS - SWIFT B
013	3.099.0850		2	Yes	12		SEEGER RING D.42 UNI 7437
018	4.508.0290		1	Yes	2		BRUSH COUPLING CENTERING BUSHING
019	3.200.0127		1	Yes	2		O-RING D=5.34 L=106
020	4.508.0314		1	Yes	2		OPENED RING
026	3.002.0204		5	Yes	12		SCREW M6X12 INOX DIN 912
031	4.506.0034		1	Yes	6		PIN FOR SPRING COUPLING
032	5.511.0708		1	Yes	1	EXT	BUMPER ASSEMBLY - SWIFT
033	3.099.0923		1	Yes	12		SLEEVE FOR BUMPER CABLE
034	4.508.0806		1	Yes	1	EXT	BUMPER SWIFT E/B
035	3.099.0864		1	Yes	1		CABLE 2.5X133 L=2400 FOR SWIFTBUMPER
036	3.099.1022		1	Yes	6		SPRING
037	4.507.0966		1	Yes	1		TRACTION SPRING
039	4.507.0990		1	Yes	2		BAR FOR BRUSH PLATE - SWIFT
041	4.507.0300		1	Yes	1		BRUSH COUPLING
042	4.506.0203		1	Yes	4		BRUSH PLATE PIN REGISTER
045	3.099.0848		1	Yes	2		HOLE PLASTIC CAP
046	3.099.0974	5.511.1745	1	Yes	1	EXT	BRUSH PLATE LIFT CABLE SWIFT B
047	4.507.0961		1	Yes	1		BRUSH LIFT LEVER
048	3.004.0110		2	Yes	25		PLAIN WASHER D.14X24X2.5 INOXUNI6593
049	3.099.0314		2	Yes	5		SPLIT PIN D.2 L.50 -FMLX002050-
050	3.099.0865		1	Yes	1		HOSE ARMONVILLE D.int.=14 L=580
063	3.099.1082		1	Yes	12		RING D.25
064	4.508.0859		1	Yes	3		SPLASH GUARD SWIFT B

SCL COMPACT FREE 45B WITH CHARGER + 2 X GEL LAVOR PRO - Content filters: validity 14/03/2018



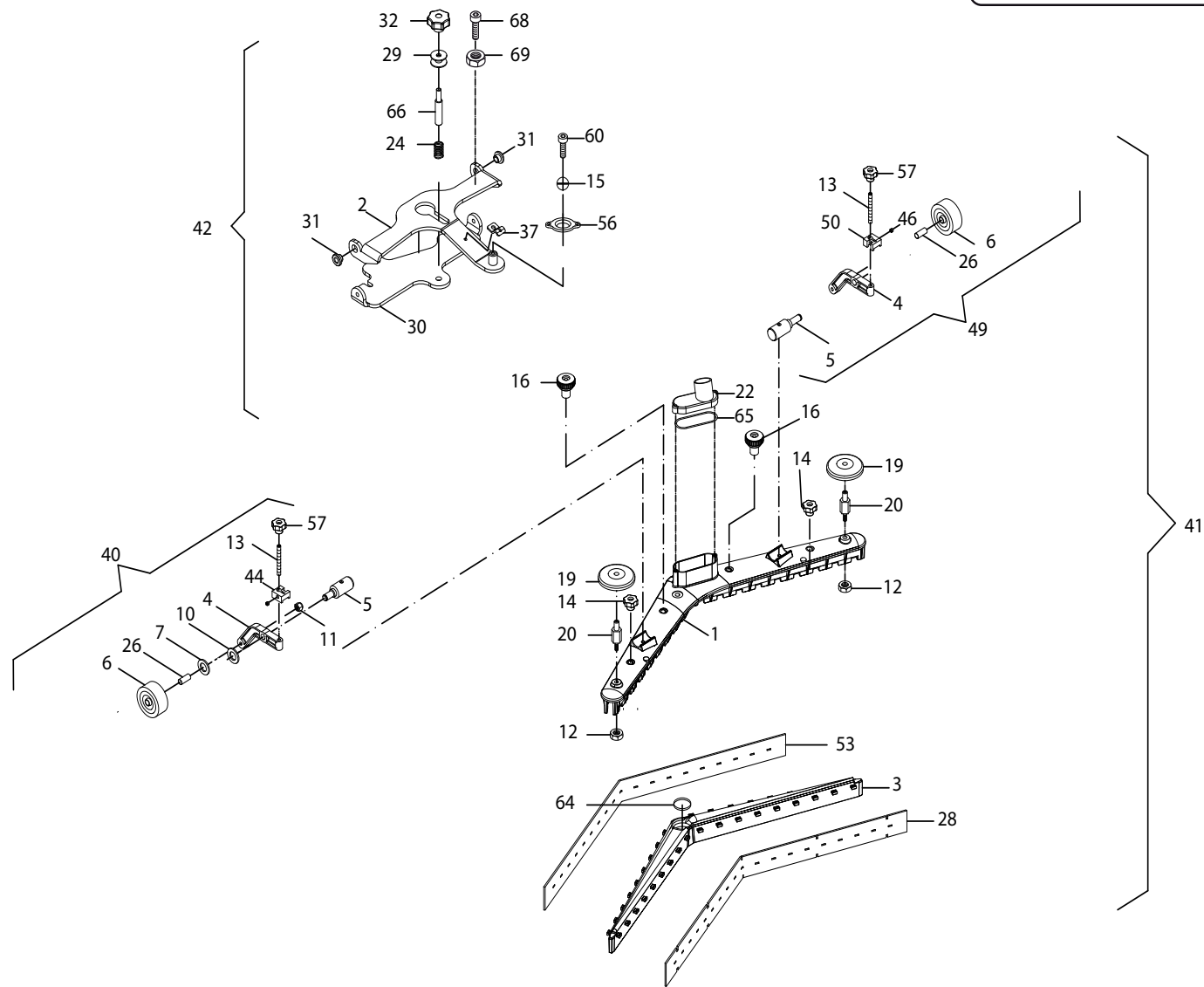
R55091083-1 - BRUSH PLATE

Validity: from 06/05/2008 to 01/01/3000

14/03/2018

Page 11 / 15

Pos.	Code	Substituted by	Q.ty	Purchasable	Min. Q.ty	For mainten.	Description
065	4.508.1174		1	Yes	6		GASKET
066	4.508.0224		1	Yes	2	EXT	BUMPER WHEEL D.110 GREY
067	4.507.0854		1	Yes	5		BRACKET FOR SQUEEGE LIFT CABLE
068	4.507.0308		1	Yes	3		SUPPORT FOR BUMPER WHEEL
097	4.508.1192		1	Yes	2	EXT	UNIFIED FLANGE FOR BRUSH COUPLING
101	5.511.0991		1	Yes	1		BRUSH PLATE LIFTING AXLE ASSEMBLY
102	4.508.0764		2	Yes	6		SHAFT 13X20
103	4.507.1018		1	Yes	5		PULLEY AXLE FOR FREE BRUSH PLATE
105	4.506.0141		1	Yes	3		PULLEY
108	4.506.0142		1	Yes	12		PULLEY FORK
110	3.499.0067		1	Yes	1		CARBON BRUSH -CRB0000007-



SCL COMPACT FREE 45B WITH CHARGER + 2 X GEL LAVOR PRO - Content filters: validity 14/03/2018

R55091474-1 - SQEEGE

Validity: from 06/05/2008 to 01/01/3000

Pos.	Code	Substituted by	Q.ty	Purchasable	Min. Q.ty	For mainten.	Description
001	4.505.0105	6.505.0047	1	Yes	1		SQUEEGEE L=780 MM
002	5.513.0197		1	Yes	1		SQUEEGEE SUPPORT
003	4.508.0505		1	Yes	1		SQUEEGEE BLADES HOLDER
004	4.505.0123		2	Yes	2		SQUEEGEE WHEEL SUPPORT ARM
005	4.507.0829		2	Yes	2		COUPLING PIN FOR SQUEEGEE
006	3.006.0075		2	Yes	6	EXT	SQUEEGEE WHEEL D.50X21 D.8
014	3.099.0467		2	Yes	2		KNOB M8
015	4.508.0208		1	Yes	12		SQUEEGEE COUPLING BALL
016	3.099.1109		2	Yes	6		KNOB M8 - RED
019	4.508.0224		2	Yes	2	EXT	BUMPER WHEEL D.110 GREY
020	4.507.0831		2	Yes	2		BUMPER WHEEL SUPPORT
022	4.508.0617	6.505.0056	1	Yes	3		CAP FOR SQUEEGEE BOX
024	4.507.1076		1	Yes	12		SPRING
026	4.506.0132		2	Yes	6		BUSHING
028	4.508.0468		1	Yes	2	ORD	FRONT SQUEEGEE BLADE L.830 TH.3
029	4.507.1071		1	Yes	2		REGISTRY SQUEEGEE (AVP)
030	4.507.1070		1	Yes	1		SQUEEGEE SUPPORT
031	4.506.0229		2	Yes	3		BUSHING
032	3.099.1189		1	Yes	5		KNOB M8 H26
037	4.507.0854		1	Yes	5		BRACKET FOR SQUEEGEE LIFT CABLE
040	5.511.0644	5.511.1516	1	Yes	1	EXT	SQUEEGEE WHEEL ASSEMBLY
041	5.511.1122	5.511.1795	1	Yes	1		SQUEEGEE ASSEMBLY - SW IFT
042	5.511.1123		1	Yes	1		SQUEEGEE SUPPORT ASSEMBLY - SWIFT
044	4.508.0834		1	Yes	4		SWITCH ON/OFF COVER (YELLOW PANT.108C)
049	5.511.0696	5.511.1517	1	Yes	1	EXT	SQUEEGEE WHEEL ASSEMBLY
050	4.508.0844	4.507.1270	1	Yes	12		SQUEEGEE STOP BLOCK - LEFT
053	4.508.0467		1	Yes	2	ORD	REAR SQUEEGEE BLADE L.870 TH.4
056	4.508.0209		1	Yes	6		LOCKING FLANGE FOR BALL COUPLING
057	3.099.1109		2	Yes	6		KNOB M8 - RED
064	3.200.0168		1	Yes	12		O-RING 4143
065	3.200.0172		1	Yes	12		O-RING 3275

SCL COMPACT FREE 45B WITH CHARGER + 2 X GEL LAVOR PRO - Content filters: validity 14/03/2018



R55091474-1 - SQUEEGE

Validity: from 06/05/2008 to 01/01/3000

14/03/2018

Page 14 / 15

Pos.	Code	Substituted by	Q.ty	Purchasable	Min. Q.ty	For mainten.	Description
066	4.507.1072		1	Yes	2		SQUEEGEE ADJUSTING PIN